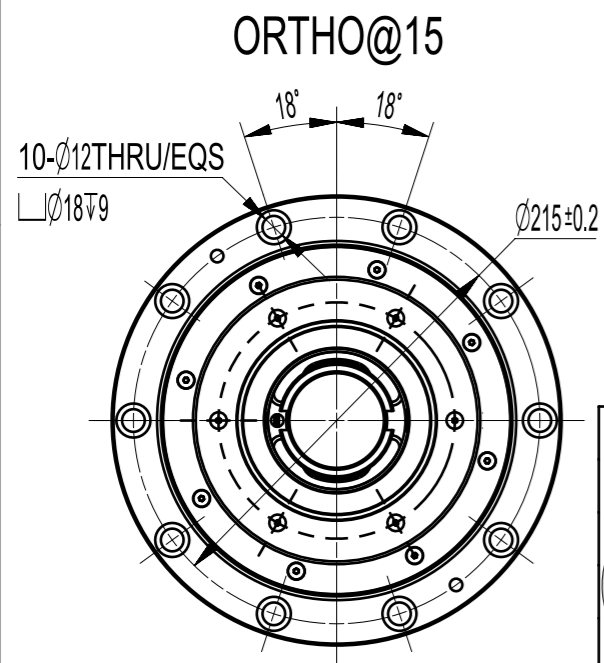
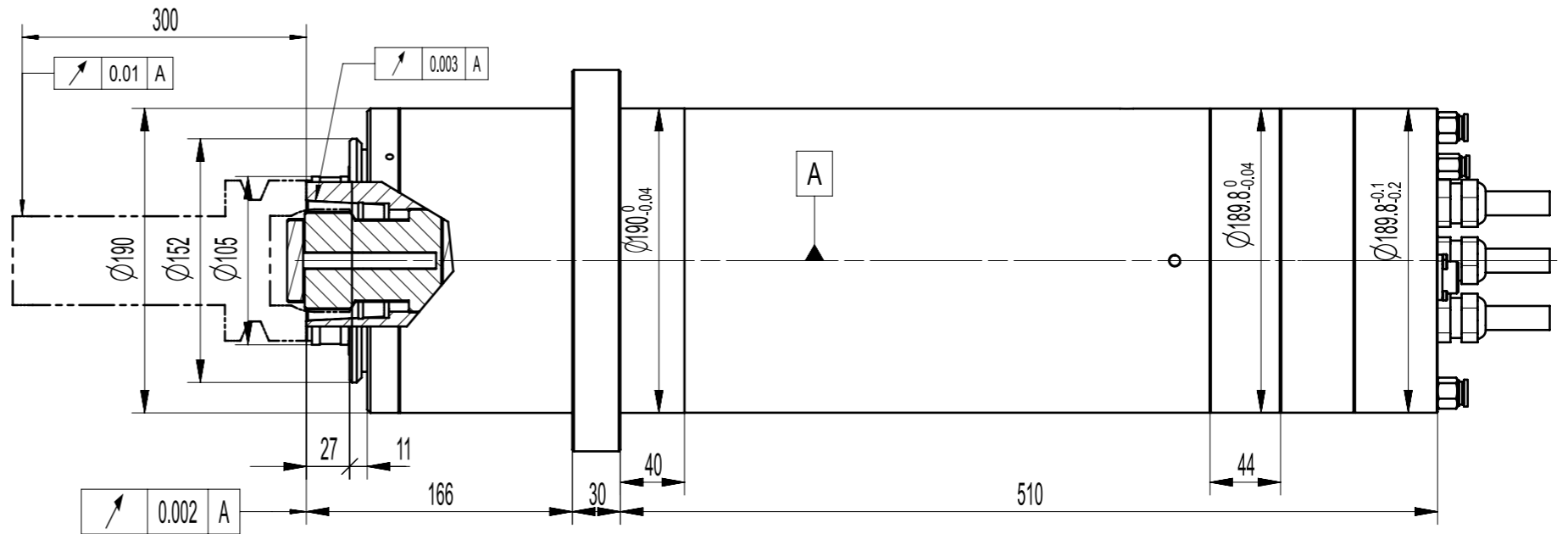
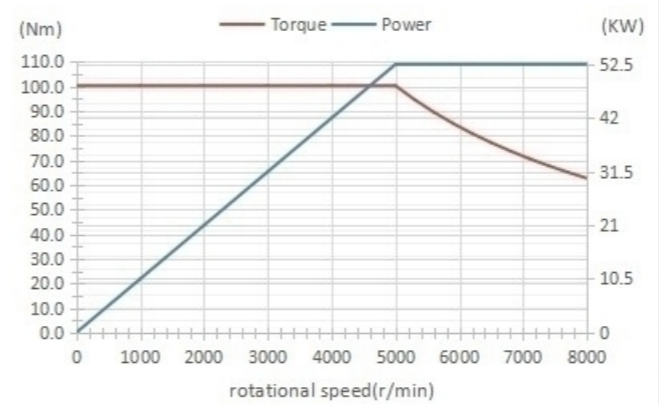
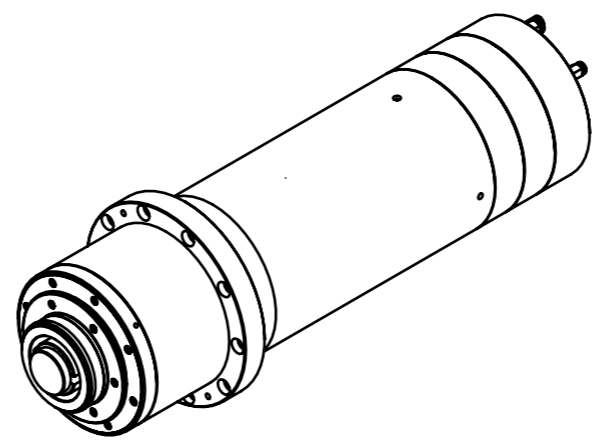


ORTHO@15



Encoder Connector					
1	A+	7	0V	13	Z-
2	A-	8	PT1000(motor)	14	PT100(Bearing)
3	Z+	9	PT1000(motor)	15	---
4	---	10	+5V	16	PT100(Bearing)
5	---	11	B+	17	Shield
6	---	12	B-		---



SPINDLE SPECIFICATION			
SPEED	5000	8000	r/min
Power	52.5	52.5	kW
Voltage	314	380	V
Current	119		A
Frequency	250	400	Hz
Torque	100	62	Nm
Voltage constant	57		V/krpm,@20°C
Motor type	Synchronous		
lubrication	Grease	Encoder	5V input,sin/cos 1Vpp,z=256,m=0.4.
Tool Interface	HSK C100		
Motor coolant	water,flow rate 8L/min@25°C		
Static axial stiffness	565N/μm	Static radial stiffness	650N/μm

Label Description			
Label	Function	Interface	Description
1	Water outlet	G1/4	Equipped with quick connector,for hose 10X8
2	air seal inlet	G1/8	Equipped with quick connector,for hose 6X4,1-1.5bar
3	Encoder Connection	M23	Encoder connection,(17 PIN,including motor sensor PT1000), 14m encoder extension cord
4	Ground	M8	
5	Water inlet	G1/4	Equipped with quick connector,for hose 10X8
6	Power cable		U/V/W,14m 25 mm^2 cable

未注尺寸公差		主轴外形					
注：孔取(+),轴取(-)		件号	名称	数量	材料	硬度	备注
尺寸/mm							
大于	至	公差					
-	6	±0.05					
6	30	±0.10					
30	120	±0.15					
120	250	±0.25					
250	500	±0.35					
500	1000	±0.45					
1000	1600	±0.55					
1600	2000	±0.65					
更改号	签字	日期	批准				

LYJSD 190XDJ08G52.5/HC100		设计	比例	重量
		校对	1:4	99.5kg
		标准化审核		
		工艺会签		
		审核		
		批准		